

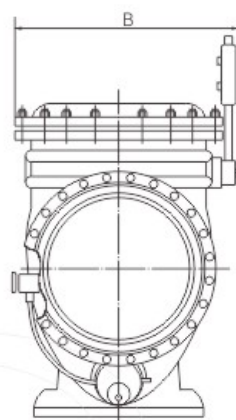
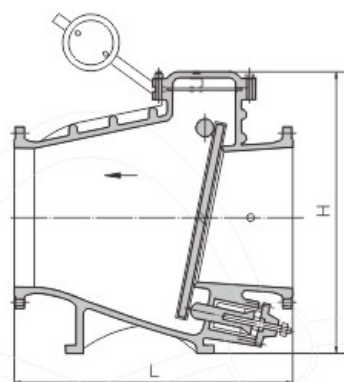


苏盐阀门

Low Resistance dashpot check valves

微阻缓闭止回阀

HH44T/44X/44H/44T-10-25(C)



主要外形和连接尺寸 Main External and Connection Dimension

单位 Unit:mm

公称通径 DN	主要外形尺寸各连接尺寸(mm) Main External and Connection Dimension			WT(Kg)
	L	W	H	
HH44T-10 HH44X-10 HH44H-10C HH44T-16 HH44X-16 HH44H-16C HH44T-25 HH44X-25 HH44H-25				
50	230	270	300	58
65	290	290	320	70
80	310	300	354	83
100	350	320	350	120
125	400	340	380	146
150	480	410	500	175
200	500	450	580	205
250	600	550	670	427
300	700	580	730	597
350	800	630	820	800
400	900	700	920	1168
450	1000	800	950	1460
500	1100	900	1100	1795
600	1300	990	1200	2125
700	1400	1120	1550	2668
800	1500	1300	1700	3050