



用途 Use

本蝶阀系吸收、消化国外技术，采用三维偏心多层次金属密封结构，适用介质温度≤550℃冶金、电力、石油化工以及给排水等管道上作调节流量和截断流体的最佳装置。

This butterfly valve is the absorption, digestion of foreign technology, using three-dimensional eccentric multi-level metal sealing structure for medium temperature less than 550 DEG C, metallurgical, power, petrochemical and water supply and drainage pipe for regulating flow rate and cutting fluid the best device.

特点 Characteristic

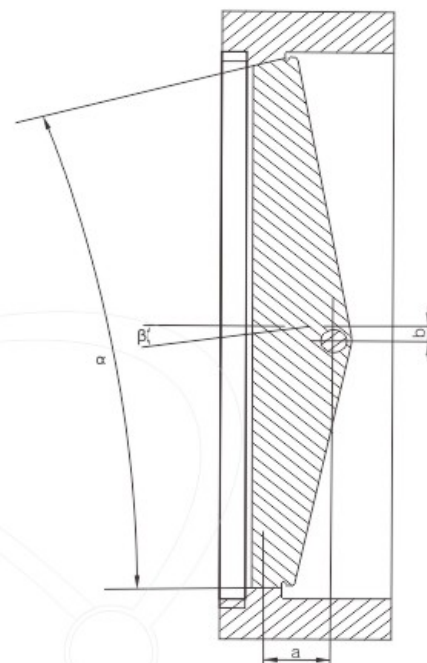
- 1、蝶板密封圈为软硬层叠式金属片，具有金属硬密封和弹性密封的双重优点，无论在低温和高温情况下，均具有优良的密封性能。
2、采用三维偏心结构、阀座与蝶板几乎无磨擦，具有越关越紧的密封功能。
3、阀体密封面，采用堆焊不锈钢、钴基硬质合金、密封面耐磨损，使用寿命长。
4、结构独特，操作灵活、省力、方便、不受介质压力的高、低影响、密封性能可靠，使用寿命长。

通常的双偏心蝶阀b（偏离管道中心）和a（偏离密封面中心线）所示的那样，目的是减少阀座与密封件之间大约15°行程的磨擦。

增加了一个独特的偏心角β，倾斜的锥形不仅克服了阀门启闭中密封和阀座之间的所有接触摩擦，从而增加使用寿命，而且通过外加力矩的改变可以任意调整其密封比压，使其密封更为可靠，绝不出现过关现象。

- 1, the butterfly plate seal ring for the hard and soft layering pieces of metal, with a metal seal and seal the dual advantages of flexibility, both in low and high temperature conditions, both with excellent sealing performance.
2, using three-dimensional asymmetric structure, seat and disc is almost no friction, with the closed more tightly sealing function.
3, the valve sealing surface, the use of welding stainless steel, carbide alloy, sealing surface wear resistance, long service life.
4, the unique structure, flexible operation, labor saving, convenience, not by medium pressure high, low impact, sealing performance Rely on, long service life.

The usual double eccentric butterfly valve B (deviation from the center line) and a (deviation from the center line of the sealing surface) as shown, is designed to reduce the valve seat and the seal between about 15 DEG stroke friction. Adds a unique eccentric angle beta, an inclined taper not only overcomes the opening and closing of a valve seat sealing and between all the contact friction, thereby increasing the service life, but also through the applied torque change can adjust the sealing pressure, so that the sealing is more reliable, never appeared clearance phenomenon.



采用标准 Using standard

Table with 4 columns: 制造标准/Manufacturer's standard, 结构长度标准/Structure length standard, 法兰标准/Flange standard, 检验标准/Inspection standard. Values include JB/T 8527, GB/T 12221, GB/T 9113, and GB/T 13927.

主要性能规范 Main performance specification

Table with 7 columns: 公称通径DN(mm)/Nominal Diameter, 公称压力/Nominal pressure, 试验压力/Test pressure, 渗透率/Percolation ratio, 适用温度/Suitable temperature, 适用介质/Suitable medium, 驱动形式/Drive style. Includes values for DN (50-2000, 50-500), PN (0.6-4.0), and various test pressures.

主要零件材料 Materials for main parts

Table with 4 columns: 零件名称/Part name, 材料/Material, 零件名称/Part name, 材料/Material. Lists materials for Body, Butterfly plate, Seal ring, Valve rod, Bearing, and Packing.

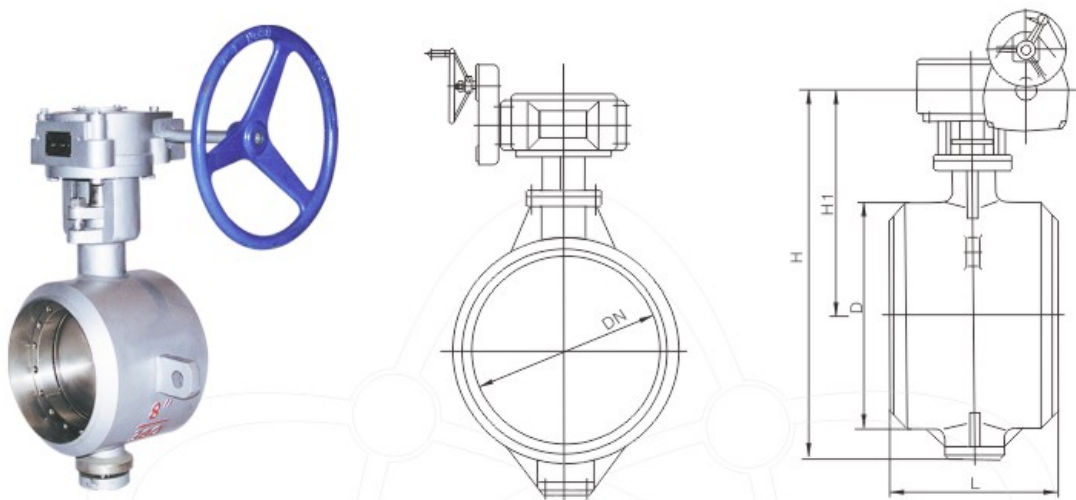


苏盐阀门

## Welded multi-layer three-eccentric hard sealing butterfly valve

对焊式三偏心多层次硬密封蝶阀

D363H-10-40C



### 主要性能规范 Main performance specifications

公称压力PN (MPa)	强度试验 (MPa)	密封试验 (MPa)	适用温度 (°C)	适用介质 Applicable medium
1.0	1.5	1.1	≤425°C	水、蒸汽、煤气、油品、 热空气、天然气等介质 Water, steam, gas, oil, hot air, natural gas and other media
1.6	2.4	1.76		
2.5	3.8	2.75		
4.0	6.0	4.4		

### 主要零件材料 Materials for main parts

阀体、蝶板 Valve body	阀杆 Stem	密封圈 Ring	填料 Filler
铸钢、铸不锈钢 Gray steel, stainless steel	不锈钢 Stainless steel	不锈钢+石墨片 Stainless steel+Graphite	柔性石墨 Flexible graphite

### 主要连接尺寸 Main connection size

公称通径 DN(mm)	L	1.0MPa		1.6MPa		2.5MPa		4.0MPa	
		H1	H	H1	H	H1	H	H1	H
100	190	280	390	280	390	280	390	280	390
125	200	300	420	300	420	300	420	300	420
150	210	320	460	320	460	320	460	320	460
200	230	370	550	370	550	370	550	370	550
250	250	420	620	420	620	420	620	420	620
300	270	500	750	500	750	500	750	500	750
350	290	530	800	530	800	530	800	530	800
400	310	570	870	570	870	570	870	570	870
450	330	600	920	600	920	600	920	600	920
500	350	680	1040	680	1040	680	1040	680	1040
600	390	750	1190	750	1190	750	1190	750	1190
700	430	810	1290	810	1290	810	1290	/	/
800	470	905	1440	905	1440	905	1440	/	/
900	510	960	1550	960	1550	960	1550	/	/
1000	550	1010	1650	1010	1650	1010	1650	/	/
1200	630	1175	1920	1175	1920	1175	1920	/	/
1400	710	1310	2170	1310	2170	/	/	/	/
1600	790	1460	2440	1460	2440	/	/	/	/
1800	870	1560	2650	1560	2650	/	/	/	/
2000	950	1670	2860	1670	2860	/	/	/	/